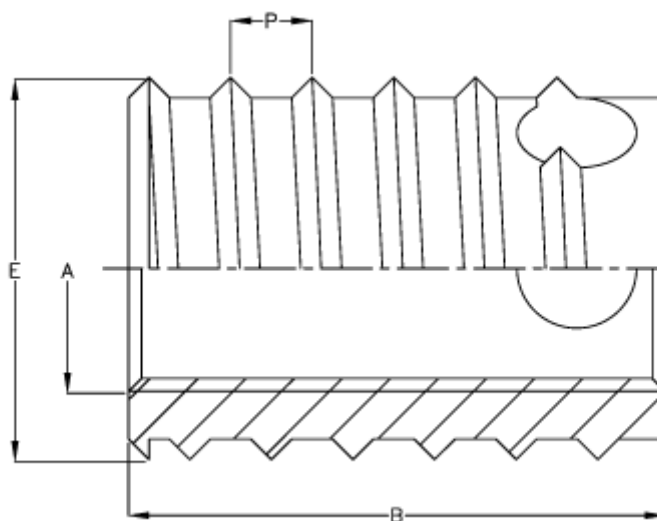


Article number: 12307000100110

Description: KLEE-coil 307 000 100.100
M10 Hardened/zinc-plated blue

Note: Hardened/zinc-plated yellow No. 12307000100160 replaced by this

Measures



Female thread A	= M10
Length B	= 10
Male thread E	= 14.0
Min hole depth blind hole	= 16
Thread pitch P	= 1.50
Type	= 307 000 100...